

PRODUCT INFORMATION PACKET



Model No: 048A11T201
Catalog No: 048A11T201
Fan and Blower Motor, 0.33 HP, 1 Ph, 60 Hz, 115 V, 1200 RPM, 48Y Frame, TEAO



Regal and Leeson are trademarks of Regal Rexnord Corporation or one of its affiliated companies.
©2024 Regal Rexnord Corporation, All Rights Reserved. MC017097E



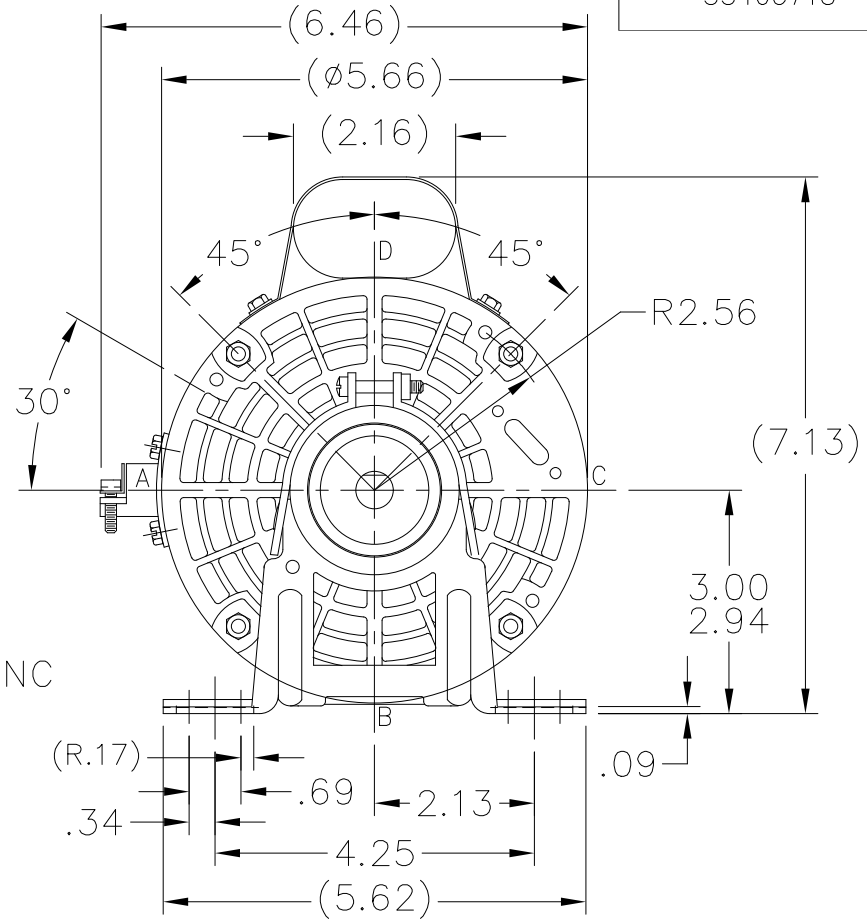
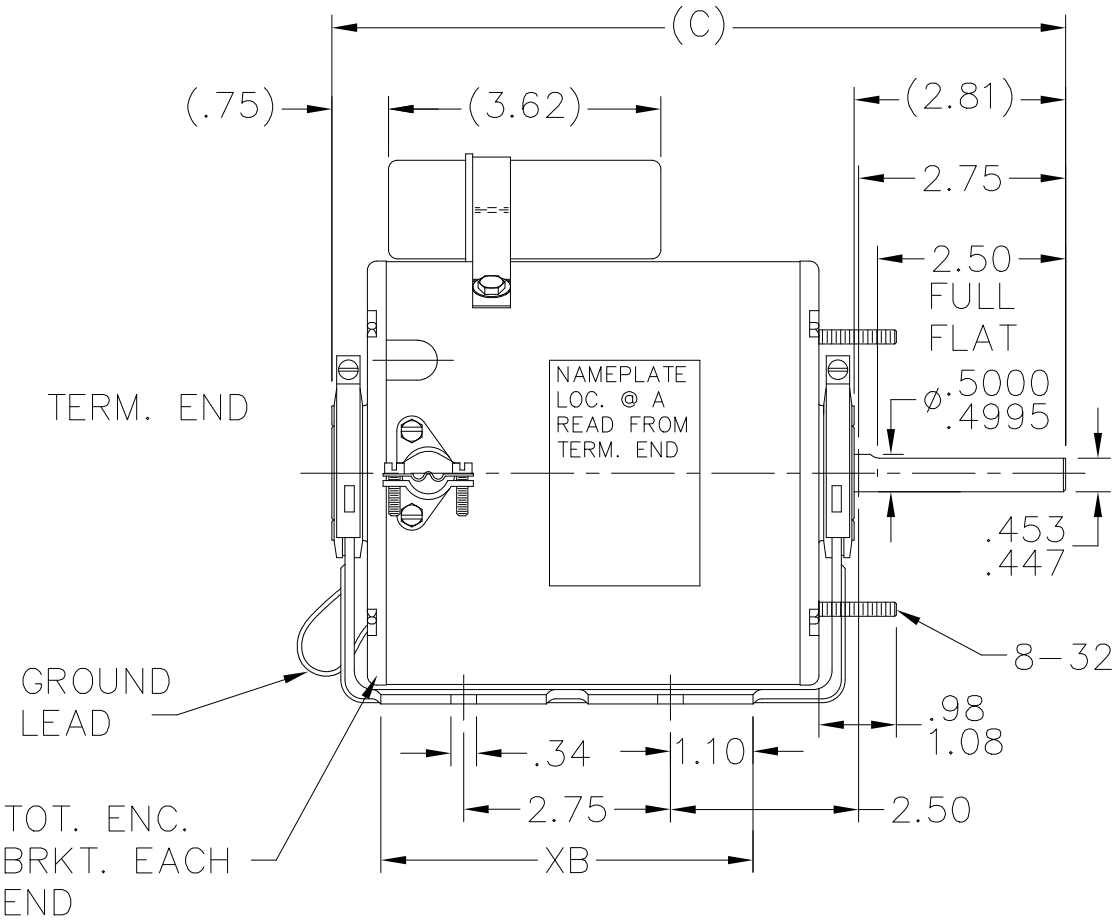


Nameplate Specifications

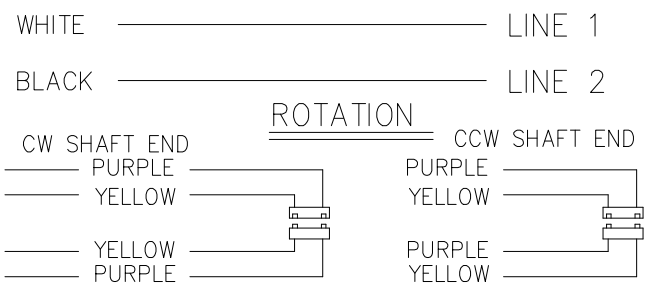
Phase	1	Output HP	0.33 Hp
Output KW	0.25 kW	Voltage	115 V
Speed	1075 rpm	Service Factor	1.0
Frame	48Y	Enclosure	Totally Enclosed Air Over
Thermal Protection	Automatic	Efficiency	70 %
Ambient Temperature	40 °C	Frequency	60 Hz
Current	6.5 A	Power Factor	70
Duty	Continuous	Insulation Class	B
Design Code	NO DESIGN CODE	KVA Code	F
Drive End Bearing Size	6203	Opp Drive End Bearing Size	6203
UL	Recognized	CSA	Y
CE	N	IP Code	43
Number of Speeds	1		

Technical Specifications

Electrical Type	Permanent Split Capacitor	Starting Method	Across The Line
Poles	6	Rotation	Selective Counterclockwise
Resistance Main	0 Ohms	Mounting	Resilient Base - Extended Studs
Motor Orientation	Horizontal	Drive End Bearing	Ball
Opp Drive End Bearing	Ball	Frame Material	Rolled Steel
Shaft Type	Single Special Extension	Overall Length	9.75 in
Frame Length	5.50 in	Shaft Diameter	0.500 in
Shaft Extension	2.81 in	Assembly/Box Mounting	F1 ONLY
Connection Drawing	9513130	Outline Drawing	A-SS403718-550

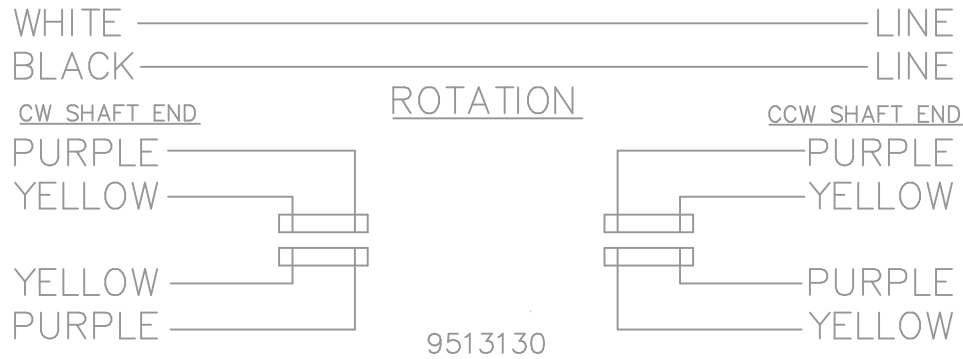


LEAD DESCRIPTION:
 1 BLACK AND 1 WHITE LEAD WITH .50 BARE WIRE STRIP EXIT MOTOR THROUGH CONDUIT CONNECTOR WITH ADJUSTABLE THROAT OPENING. 35.00" - 37.00" LONG. PURPLE AND YELLOW REVERSING LEADS MOLDED INTO MATING PULL-APART PLUGS. 4.00-6.00" LONG.



DASH	C	XB
550	9.75	4.94

				TOLERANCES UNLESS SPECIFIED		Regal Beloit America, Inc.	DRAWN GRB 05-15-2008					
				DEC.	INCHES		CHK SP 05-15-2008					
				.X	±.1	TITLE	SCALE 3=8					
				.XX	±.03	OUTLINE	REF SS74134					
				.XXX	±.005	48 FRAME	FMF					
01	CHG FROM MARATHON TO RRX TEMPLATE PER ECR-0233451	MD 5/6/2024	DS	.XXXX	±.0005	MAT'L.	PREV					
NO.	REVISION	BY & DATE	CHK	ANG	±7'30"	FINISH						
THIS DRAWING IN DESIGN AND DETAIL IS OUR PROPERTY AND MUST NOT BE USED EXCEPT IN CONNECTION WITH OUR WORK ALL RIGHTS OF DESIGN AND INVENTION ARE RESERVED THIS IS AN ELECTRONICALLY GENERATED DOCUMENT - DO NOT SCALE THIS PRINT				RFP	05-15-2008	CAD FILE	ss403718	SIZE	DRAWING NO.	PAGE	OF	REV.
				DIST	WP			A	SS403718			01



				TOLERANCES UNLESS SPECIFIED			DRAWN TOM 09/19/1988		
				DEC.	INCHES		CHK		
				.X	±.1		APPD MS 09/20/1988		
				.XX	±.02		SCALE 1=1		
				.XXX	±.005		REF		
3	REDRAWN IN AUTOCAD	JMS 03/11/2005		.XXX	±.005	TITLE CONNETION DIAGRAM			
2	NEW DRAWING	TOM 09/19/1988		.XXXX	±.0005	MAT'L.			
NO.	REVISION	BY & DATE	CHK	ANG	±7'30"	FINISH			
THIS DRAWING IN DESIGN AND DETAIL IS OUR PROPERTY AND MUST NOT BE USED EXCEPT IN CONNECTION WITH OUR WORK ALL RIGHTS OF DESIGN AND INVENTION ARE RESERVED THIS IS AN ELECTRONICALLY GENERATED DOCUMENT - DO NOT SCALE THIS PRINT				RFP	CAD FILE 9513130		SIZE	DRAWING NO. PAGE OF	REV.
				DIST	WP	A		9513130	3

** Subject to change without notice.



MARATHON ELECTRIC CORPORATION
TYPICAL PERFORMANCE CURVE for AC MOTOR

Customer

Curve at

115 Volts
60 HZ
0.33 HP

HP 0.33

PHASE 1

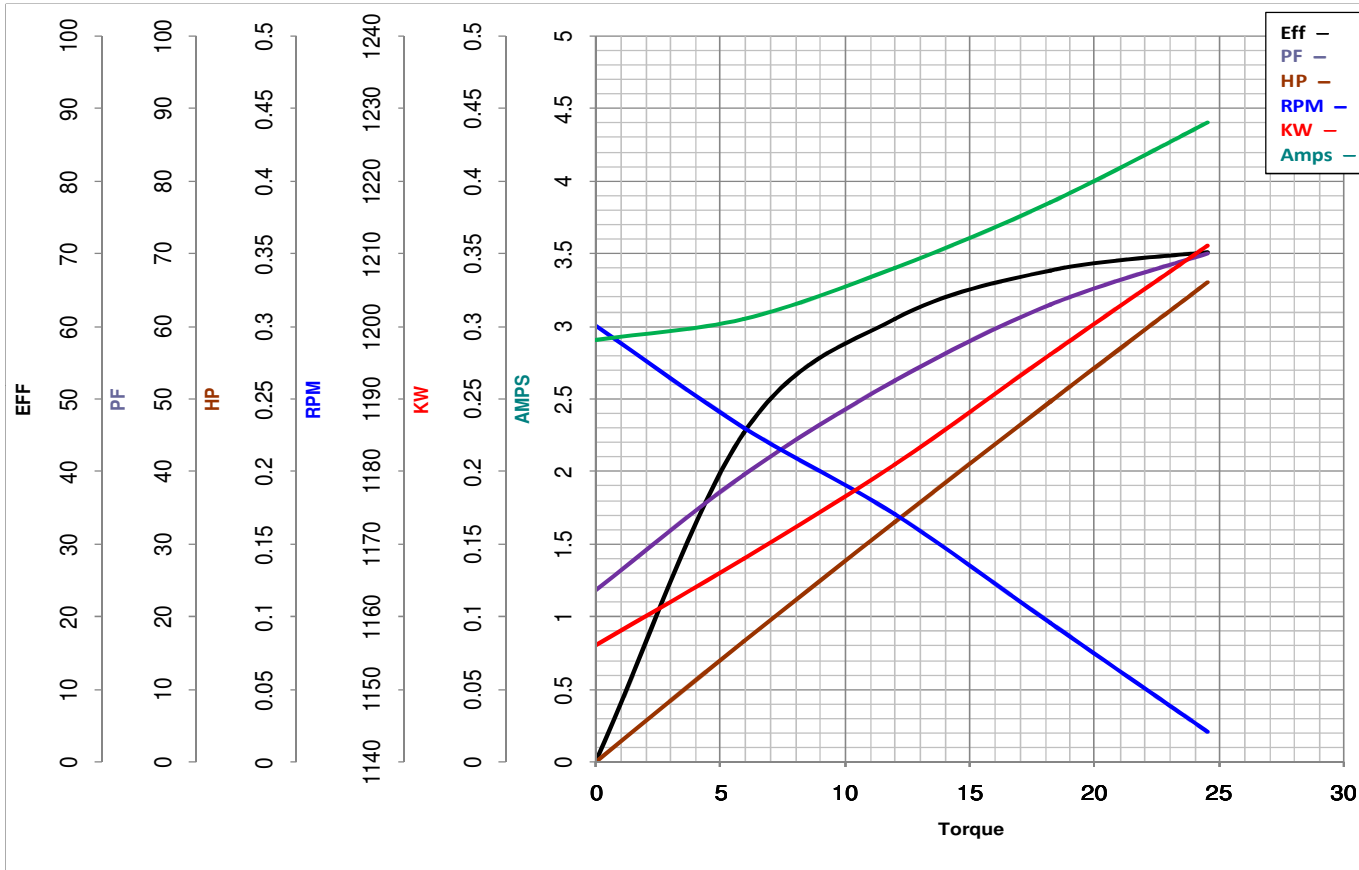
Model No 48A11T201

VOLTS 115

Catalog No X304

HZ 60

RPM 1075



Torque in Oz.Ft

FL TORQUE 24.5 Oz.Ft
BD TORQUE 50.5 Oz.Ft
LR TORQUE 9.21 Oz.Ft

FL AMPS 6.5
PU TORQUE 8.3 Oz.Ft
LR AMPS 15.9

WINDING PE486176-1

Date 1/4/2019